



<https://uni-luce.com>

+39 339 505 5880

[info@uni-luce.com](mailto:info@uni-luce.com)

Via Monselice, 26, 20832 Desio

MB, Italy

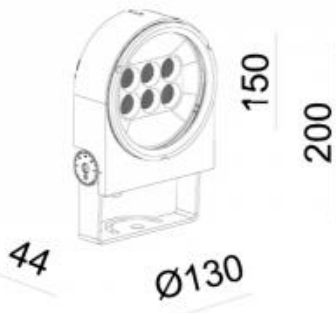
## MARS FL M 13



Available colors:

- 1561-B13
- 1561-W13
- 1561-GR13
- 1561-DGR13

|                    |                                   |
|--------------------|-----------------------------------|
| Beam angle:        | 6° 14° 27° 36°                    |
| LED Color:         | 3000K 4000K 6000K 5000K           |
| System Power:      | 13W                               |
| CRI:               | 90                                |
| Lumen output:      | 1164lm                            |
| Material:          | aluminium, glass, PC              |
| Location:          | Exterior                          |
| Fixation:          | Garden spot                       |
| Product dimension: | D130 x H150mm                     |
| Input:             | 200-240V 50\60 Hz                 |
| IP:                | 65                                |
| Class:             | III                               |
| Structure:         | Rotation: 30°, Spot Adjust: 0~90° |
| IK:                | 08                                |





<https://uni-luce.com>

+39 339 505 5880

[info@uni-luce.com](mailto:info@uni-luce.com)

Via Monselice, 26, 20832 Desio

MB, Italy

MARS, the luminaire head is to be installed on a pin, on a strap or on a simplified bracket. In this way, MARS can easily be transformed to install in between the green, around a tree, a pole or any other surface. To facilitate the installation of multiple MARS luminaires, a degree scale is integrated on the hinge, perfect for precise aiming and a proper repetitive light effect. MARS is presented in RGBW or mono color light.