



<https://uni-luce.com>
+39 339 505 5880
info@uni-luce.com

Via Monselice, 26, 20832 Desio
MB, Italy

MICRO RONDO



Available colors:

○ 495-W5VD

● 495-B5VD

Beam angle:

12° 24° 45° 60°

LED Color:

3000K

System Power:

4,5W

CRI:

80

Lumen output:

671lm

Location:

Interior

Fixation:

Ceiling

Installation:

Surface

Product dimension:

75mm 150x7x23mm

Input:

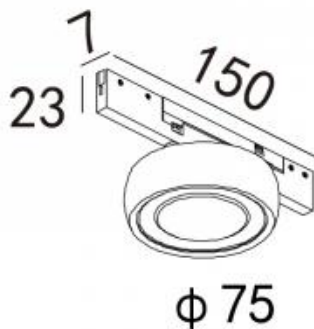
42V

IP:

20

Class:

III





<https://uni-luce.com>

+39 339 505 5880

info@uni-luce.com

Via Monselice, 26, 20832 Desio

MB, Italy

MICRO product family is the best example of minimalism and technology. Functionality and flexibility are the key words to describe MICRO family. Super slim track recessed in the ceiling and wall has flexible construction, due to L-shape accessories, the MICRO track can create a lot of different patterns in the room. Low voltage (42V) makes the track use safe. MICRO product family is extended by recessed, surface mounted, and pendant lamps. In addition, MICRO family is equipped with 1-10V DIM function. Maximum power of the power supply must not exceed 126W. MICRO lamps series has become a great addition to the essential range of MICRO track. MICRO lamps collection is presented by recessed and surface mounted liners, suspended and wall lamps. The wide range of the MICRO product family is united by one essential feature: MICRO range is the most miniature creature in the UNI LUCE collection.