



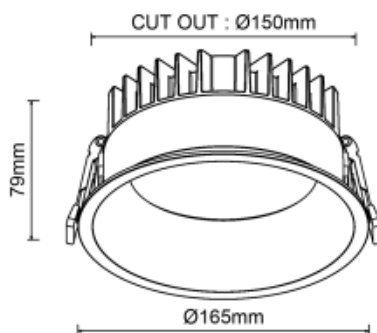
<https://uni-luce.com>  
+39 339 505 5880  
info@uni-luce.com

Via Monselice, 26, 20832 Desio  
MB, Italy

## MONITOR 30 L 165 SMD



Available colors:	<input type="radio"/> 23225-W20-165 <input checked="" type="radio"/> 23225-B20-165
Beam angle:	55°
LED Color:	2700K 3000K 4000K 6000K
System Power:	30W
CRI:	90
Lumen output:	3600lm
Material:	aluminium
Location:	Interior
Fixation:	Ceiling
Installation:	Recessed
Product dimension:	diam150mm
Cut hole size:	diam165x79mm
Input:	220-240V 50/60HZ
IP:	65
Class:	III
DIM Option:	DALI 1-10V DTW TD





<https://uni-luce.com>

+39 339 505 5880

[info@uni-luce.com](mailto:info@uni-luce.com)

Via Monselice, 26, 20832 Desio

MB, Italy

MONITOR collection is all about functionality. The perfect light effect creates a uniform illumination. The collection comes in 4 sizes with 15W, 20W and 30W and 40W with clear and frosted glass for option. IP65 makes it possible to use the lamp for wet zones where additional water resistance is required.