



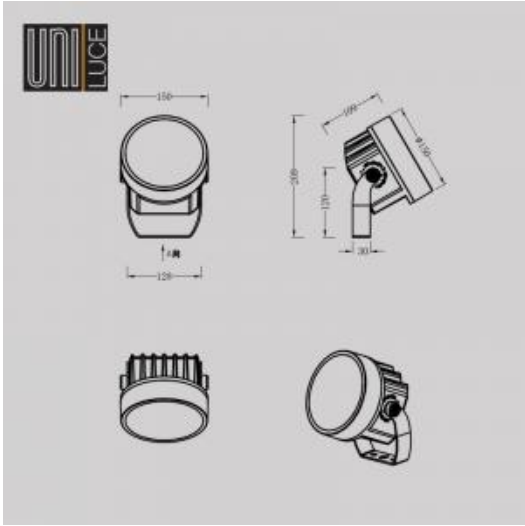
<https://uni-luce.com>  
+39 339 505 5880  
info@uni-luce.com

Via Monselice, 26, 20832 Desio  
MB, Italy

## SPARTA-12 M 30



Available colors:	<input type="radio"/> 1246-W30
	<input checked="" type="radio"/> 1246-B30
	<input type="radio"/> 1246-GR30
	<input type="radio"/> 1246-DGR30
	<input type="radio"/>
Beam angle:	5° 8° 10° 12° 20° 25° 30° 35° 40° 45° 60° 10x22° 15x55° 20x60°
LED Color:	3000K 4000K 6000K 5000K RGB RGBW 5700K
Lamp Power:	30W
CRI:	90
Lamp Lumen:	2400lm
Material:	die-casting powder coating aluminum, glass
Location:	Exterior
Fixation:	Ground, Wall
Product dimension:	D150xL109mm
Input:	220-240V 50/60HZ
IP:	66
Class:	II
DIM Option:	ON/OFF DALI DMX
Structure:	Spot Adjust: 0~180°
IK:	08





<https://uni-luce.com>

+39 339 505 5880

[info@uni-luce.com](mailto:info@uni-luce.com)

Via Monselice, 26, 20832 Desio

MB, Italy

SPARTA spotlights are designed to be both elegant and flexible, offering a wide range of functional and aesthetic options for any project. The light source is multi-zoned, allowing precise lighting control, as well as the ability to combine lighter and darker areas for a seamless blend of lighting and landscape. Different optics and sizes are available, making SPARTA a versatile choice for a variety of applications. SPARTA can be installed ground-mounted, pole-mounted or wall-mounted with anti-glare options available for added light effect. SPARTA spotlight systems are often used for street lighting, where they are mounted on poles or masts to provide illumination in public spaces. These systems offer a number of benefits, including increased visibility, improved safety, and reduced energy consumption. SPARTA systems can be customized to suit specific needs, with options for different lens sizes, color temperatures, and beam angles. Additionally, SPARTA lights are designed to withstand harsh weather conditions and can be integrated with smart lighting systems for remote control and monitoring. Overall, SPARTA lighting is an excellent choice for street lighting applications, providing reliable illumination while saving energy and improving safety.