



<https://uni-luce.com>

+39 339 505 5880

[info@uni-luce.com](mailto:info@uni-luce.com)

Via Monselice, 26, 20832 Desio

MB, Italy

## STEP LIGHT SQ EGG



Available colors:

○ 501-W4SQ

● 501-B4SQ

Beam angle:

0°

LED Color:

2700K 3000K 4000K

LED power:

2,7W

Lamp Power:

4W

CRI:

80

Lamp Lumen:

346lm

Location:

Interior

Fixation:

Wall

Installation:

Recessed

Product dimension:

41x65x65mm

Input:

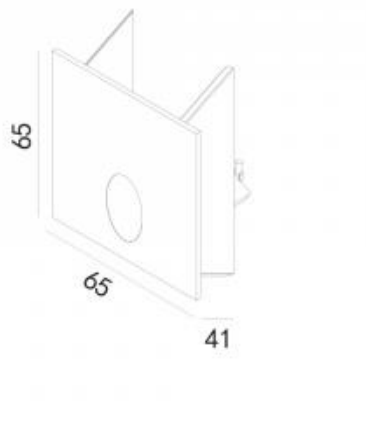
220-240V 50\60Hz

IP:

40

Class:

I





<https://uni-luce.com>

+39 339 505 5880

[info@uni-luce.com](mailto:info@uni-luce.com)

Via Monselice, 26, 20832 Desio

MB, Italy

STEP LIGHT makes it easy to illuminate the stairs, halls and corridors. The light source is installed deeply inside the lamp, that makes the LED completely invisible. The result is soft uniform light.